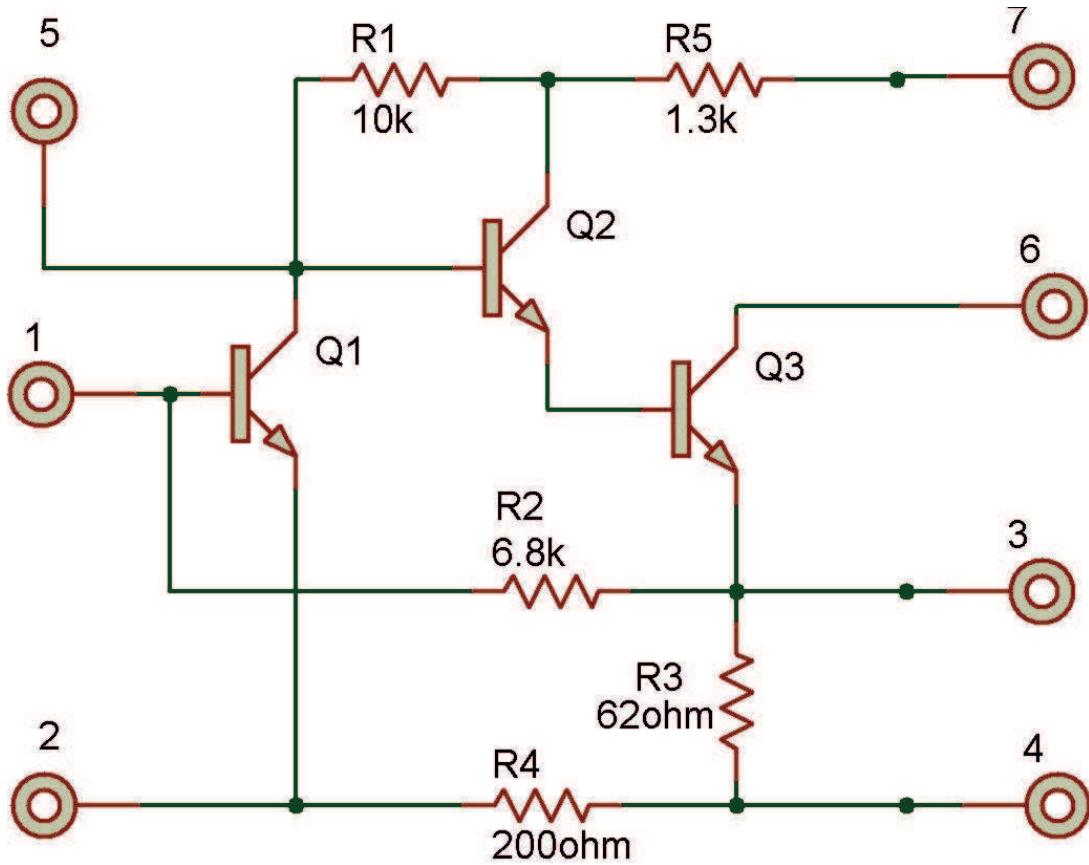


BA306

NTE = NTE1431

Audio Driver SIP 7

AF amp/predriver VCC13.5V



Vcc Max = 12V

Pin Descriptions

Pin No.	Pin Name
1	Input
2	Feedback
3	Bypass
4	GND
5	1st Stage Output
6	Output
7	Vcc